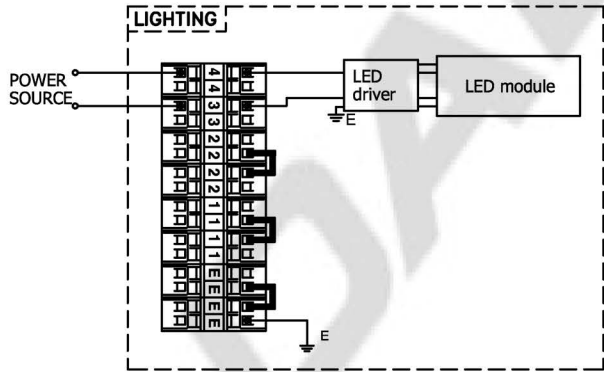
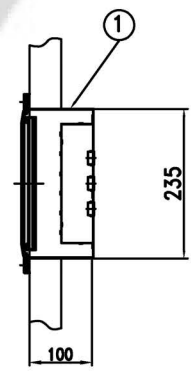
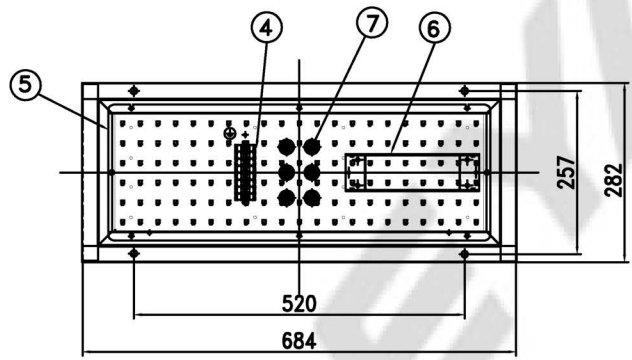
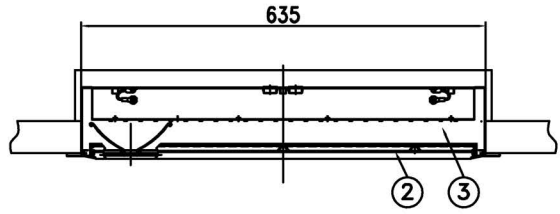
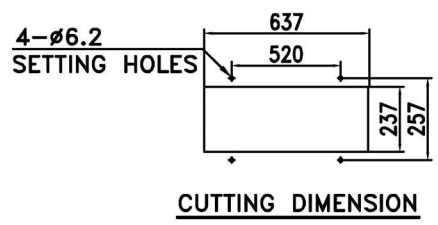


CAPACITY	SYMBOL/SERIAL NO.	CIRCUIT DIAGRAM
AC100-240V, 50/60Hz		
28W		



CIRCUIT DIAGRAM



CUTTING DIMENSION

				4	TERMINAL BLOCK(2.5sq)	-	1	CLAMPING 8P	
7	CABLE INLET HOLES	NYLON	6	ø16 SNAP BUSHING	3	LED module	-	1	5,000K
6	LED driver	-	1		2	GLOBE	ACRYL	1	
5	LED module BRACKET	STEEL	1		1	BODY	STEEL	1	
NO	NAME OF PARTS	MATERIAL	Q'TY	REMARKS	NO	NAME OF PARTS	MATERIAL	Q'TY	REMARKS

APPROVED	B. K. KIM	UNIT	MM
CHECKED		SCALE	N/S
DRAWING	B. I. KIM	COLOR	N-9.3
DATE	2015.12.04	IP	20

TITLE;
NO-GAP LED CEILING LIGHT
FOR MARINE USE



MODEL NO.	LEB128NF-0550SNQC50-A	WEIGHT	7.5 Kg
DWG NO.	L01150100	SHEET NO.	